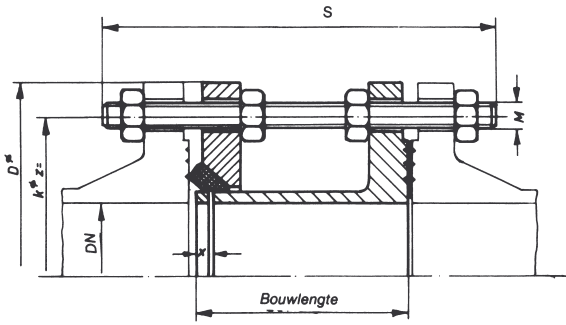
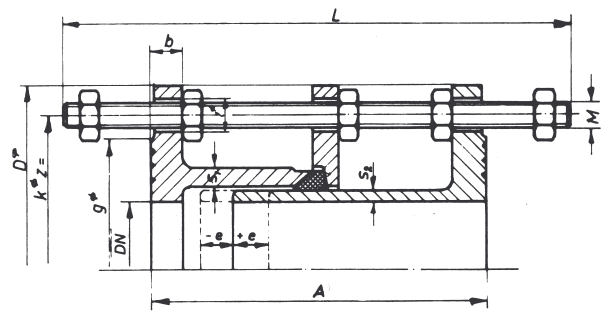


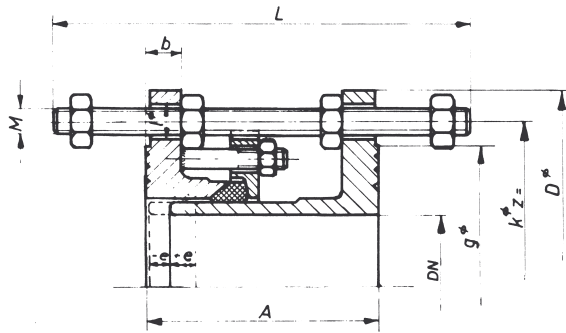
Dismantling joints type PA



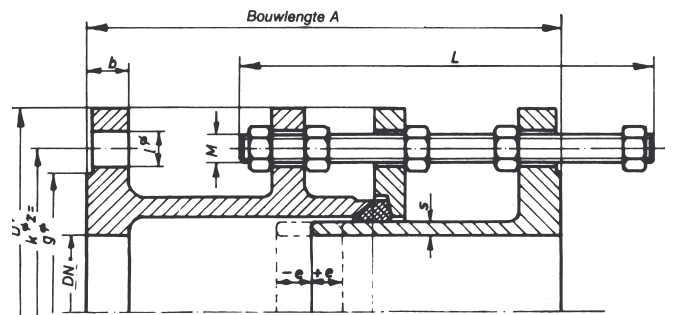
Dismantling joints type PO



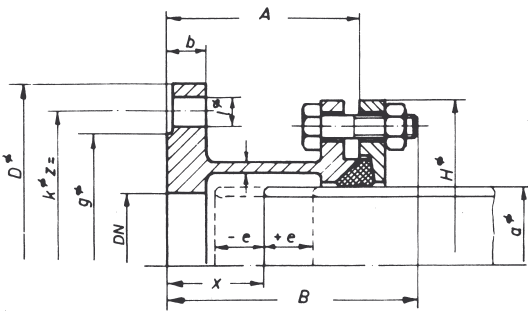
Dismantling joints type POK



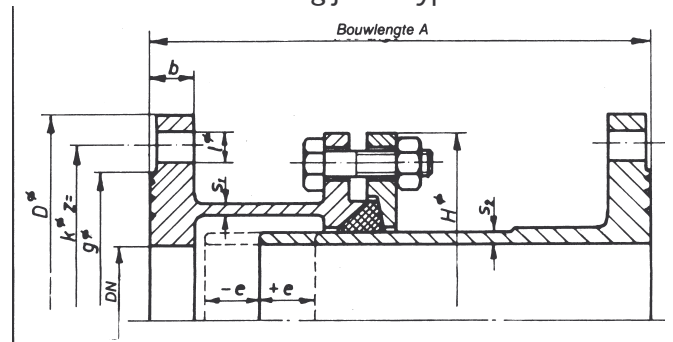
Dismantling joints type PF



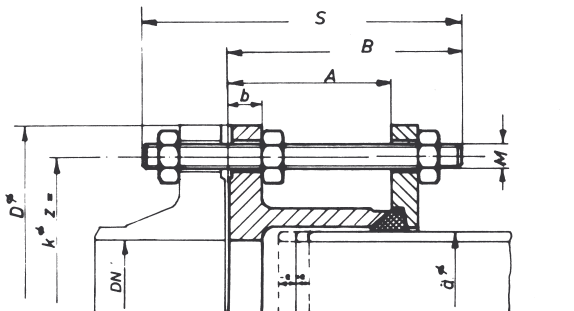
Dismantling joints type PV



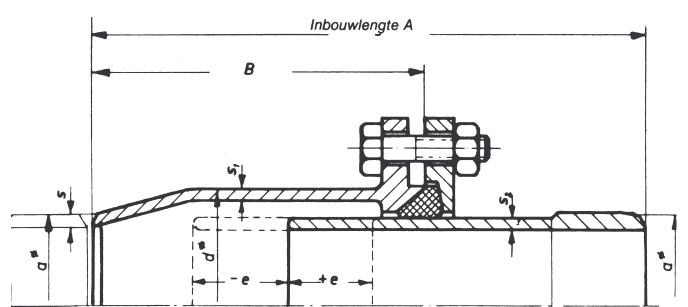
Dismantling joints type PP



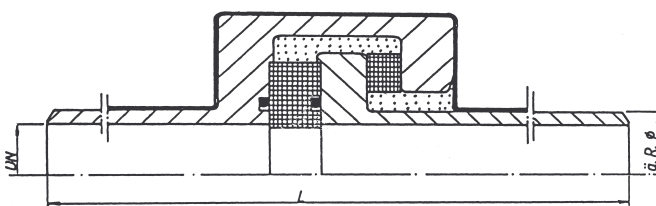
Dismantling joints type PL



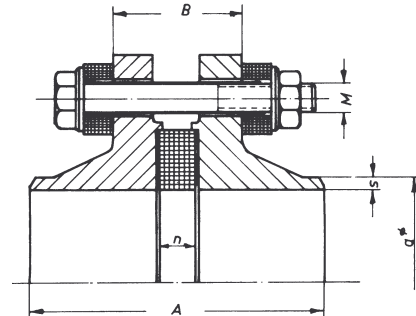
Dismantling joints type PD



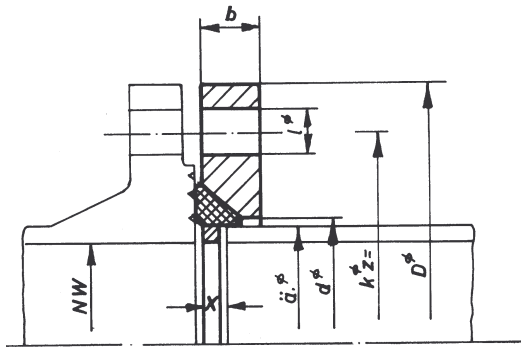
Isolation joints type PIT



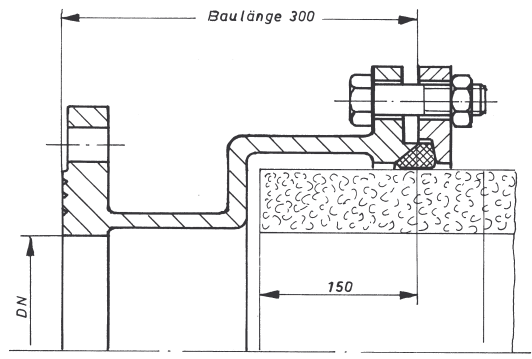
Isolation flange set type PI



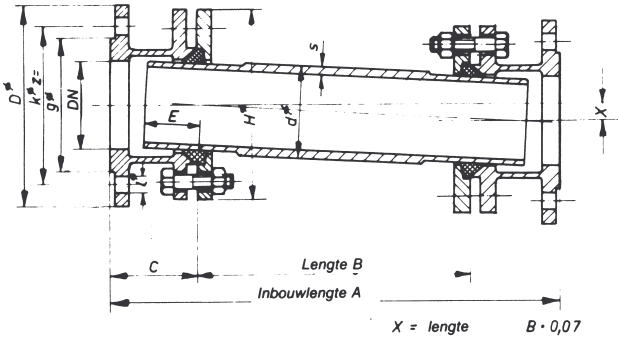
Dismantling joints type PH



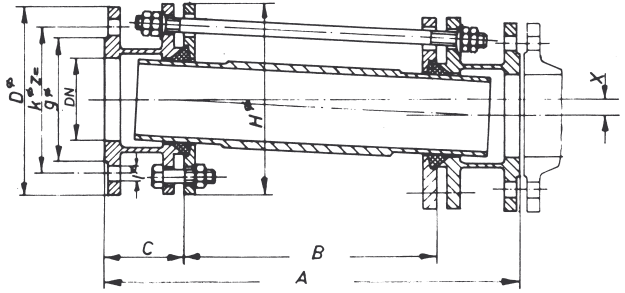
Transition joints type PU



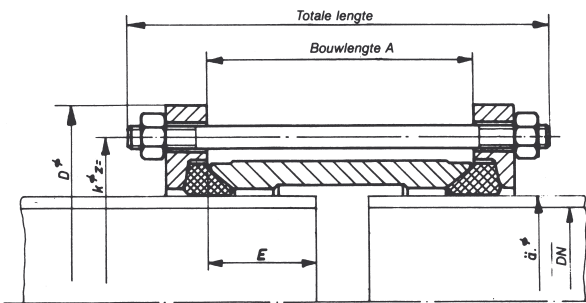
Hinge joints type PG



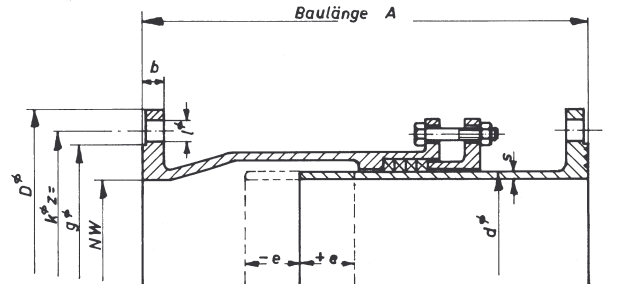
Hinge joints type PVG



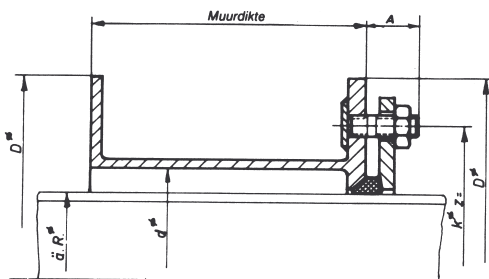
Sliding joints type PS



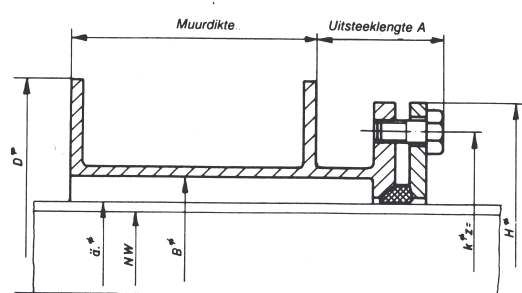
Sliding joints type PB



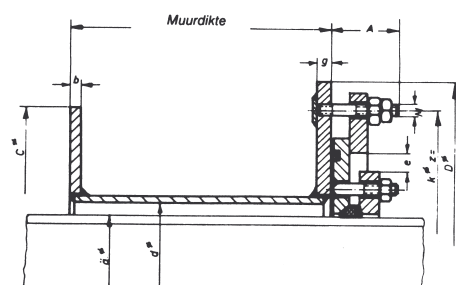
Wall ducts type PM 1



Wall ducts type PM 2



Wall ducts type PM 3



Reducers type PR

