

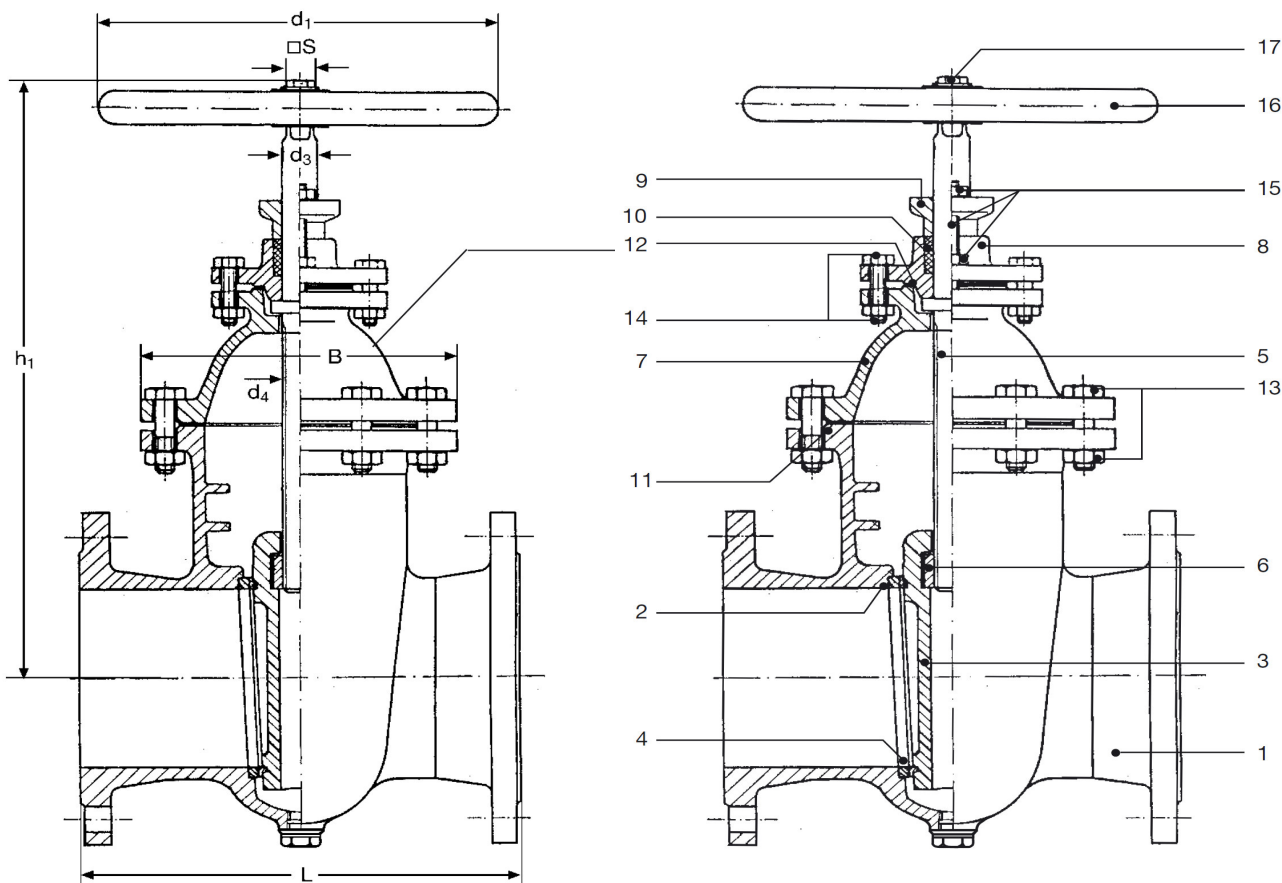


| | | |
|------------------|------------------------------------|---|
| specificatieblad | metaaldichtende schuifafsluiter |   |
| Figuur 126165-bi | type KOS | |

Indien niet anders aangegeven; maten in millimeters

Unless otherwise stated all dimensions are in millimeters.

| aantal Qty | bouw lengte volgens EN 558-1-15 | | | flensaansluiting volgens DIN 2501 PN 10 | | | | | aantal boutgaten | Gewicht [kg] |
|---------------|---------------------------------|----|-----|---|-----|------|----------------|----|---------------------|-------------------|
| | DN | PN | L | D | k | b | d ₂ | | | |
| | 50 | 10 | 250 | 165 | 125 | 16 | 18 | 4 | 14,6 | |
| | 65 | 10 | 270 | 185 | 145 | 16 | 18 | 4 | 18,5 | |
| | 80 | 10 | 280 | 200 | 160 | 18 | 18 | 8 | 23,0 | |
| | 100 | 10 | 300 | 220 | 180 | 18 | 18 | 8 | 30,0 | |
| | 125 | 10 | 325 | 250 | 210 | 20 | 18 | 8 | 42,3 | |
| | 150 | 10 | 350 | 285 | 240 | 20 | 22 | 8 | 55,5 | |
| | 200 | 10 | 400 | 340 | 295 | 22 | 22 | 8 | 105,0 | |
| | 250 | 10 | 450 | 395 | 350 | 24 | 22 | 12 | 150,0 | |
| | 300 | 10 | 500 | 445 | 400 | 24 | 22 | 12 | 204,5 | |
| | 350 | 10 | 550 | 505 | 460 | 24,5 | 22 | 16 | 287,0 | |
| | 400 | 10 | 600 | 565 | 515 | 24,5 | 26 | 16 | 354,0 | |
| | 500 | 10 | 700 | 670 | 620 | 26,5 | 26 | 20 | 536,0 | |
| | 600 | 10 | 800 | 780 | 725 | 30 | 30 | 20 | 847,0 | |



| | | | |
|------|--------------------------|----------------------|------------------------------------|
| 7 | kap | bonnet | EN-GJS-250 |
| 6 | spindelmoer | stem nut | G Cu Sn 10 |
| 5 | spindel | stem | roestvaststaal (minimaal 11,5% Cr) |
| 4 | zittingring op de schuif | seating on the wedge | brons / bronz |
| 3 | schuif | wedge | EN-GJS-250 |
| 2 | zittingring op het huis | seating on the body | brons / bronz |
| 1 | huis | body | EN-GJS-250 |
| Pos. | Omschrijving | Description | Materiaal / Material |
| | | | Figuur 126165-bi |

Genoemde maten zijn niet bindend