

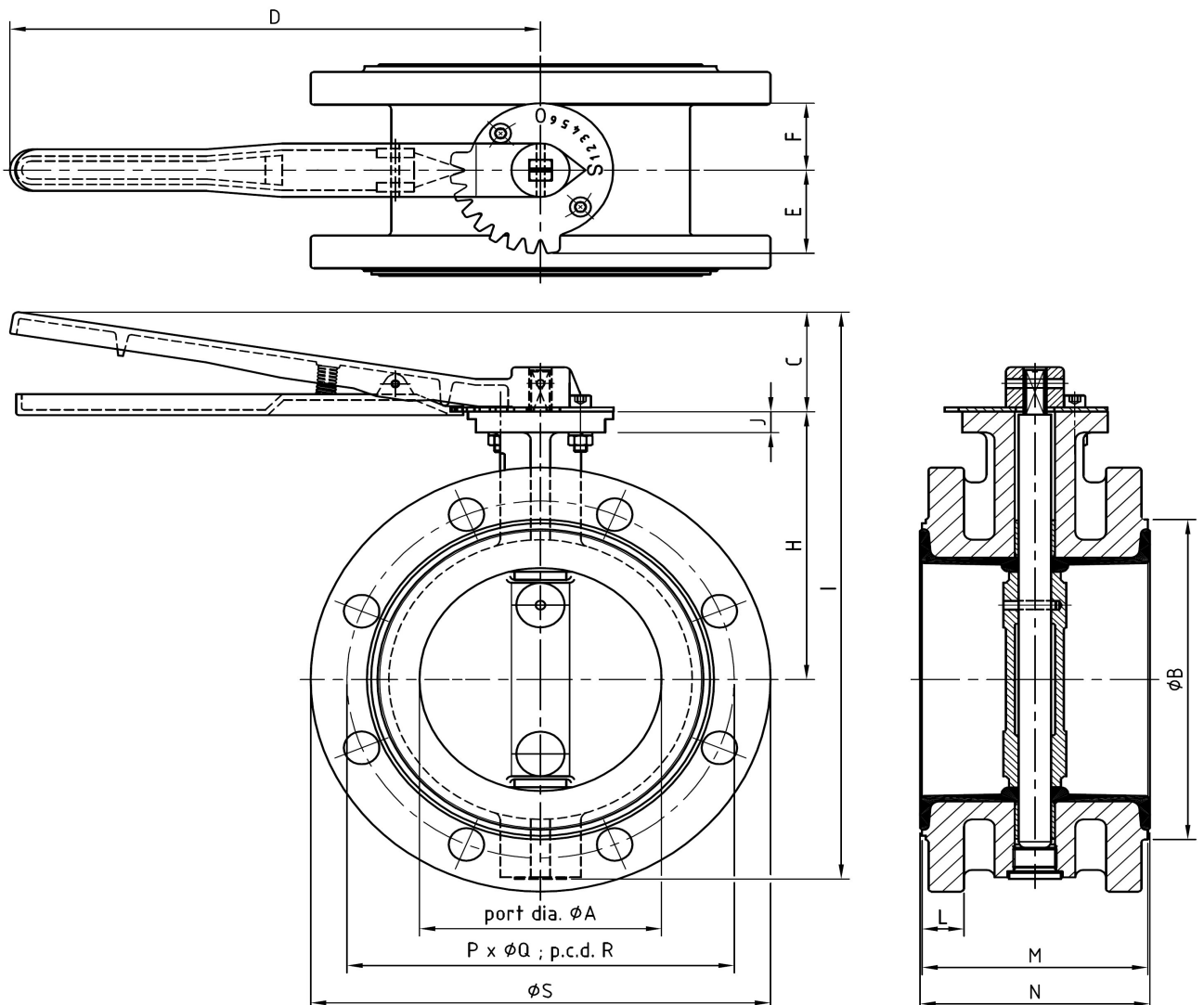
| | | |
|------------------|--------------------------|---|
| specificatieblad | vlinderklep centrisch |   |
| Figuur 212163-hl | type isos | |

Indien niet anders aangegeven; maten in millimeters

Unless otherwise stated all dimensions are in millimeters.

| bowlengte volgens EN 558-1-13 | | | | flensaansluiting volgens DIN 2501 PN 10 | | | | | | | | | Gewicht weight [kg] |
|-------------------------------|-----|----|-----|---|--------|----|----|---------------------|-----|----|--|--|-----------------------------|
| aantal Qty | DN | PN | M | S | pcd. R | L | Q | aantal boutgaten | D | C | | | |
| | 50 | 10 | 108 | 165 | 125 | 22 | 18 | 4 | 232 | 55 | | | 8,0 |
| | 65 | 10 | 112 | 185 | 145 | 22 | 18 | 4 | 232 | 55 | | | 10,0 |
| | 80 | 10 | 114 | 200 | 160 | 22 | 18 | 8 | 232 | 55 | | | 12,0 |
| | 100 | 10 | 127 | 228 | 180 | 23 | 18 | 8 | 232 | 55 | | | 16,0 |
| | 125 | 10 | 140 | 254 | 210 | 26 | 18 | 8 | 329 | 67 | | | 21,0 |
| | 150 | 10 | 140 | 285 | 240 | 26 | 22 | 8 | 329 | 67 | | | 24,0 |
| | 200 | 10 | 152 | 343 | 295 | 29 | 22 | 8 | 329 | 67 | | | 36,0 |
| | 250 | 10 | 165 | 405 | 350 | 32 | 22 | 12 | 400 | 78 | | | 51,0 |
| | 300 | 10 | 178 | 445 | 400 | 28 | 22 | 12 | 400 | 78 | | | 71,0 |

montageflens aansluiting volgens ISO 5752 / 5211-1



| | | | |
|------|--------------|-------------|---|
| 6 | lagers | bearings | brons RG7 |
| 5 | pennen | pins | monel K-500 |
| 4 | spindel | shaft | roestvaststaal |
| 3 | klepschijf | disc | gerilsaneerd gietijzer / alubrons / rvs |
| 2 | manchet | liner | EPDM |
| 1 | huis | body | EN-GJL-400-15 (GGG-40) |
| Pos. | Omschrijving | Description | Materiaal / Material |
| | | | Figuur 212163-hl |

Genoemde maten zijn niet bindend